



## SB.18 ACCESS GATE

### INSTALLATION, ASSEMBLY & USER INSTRUCTIONS

(Read in full before starting)

#### SAFETY

We recommend the following minimum precautions are taken:

- Wear appropriate clothing
- Eye protection and hand protection should be worn, including safety helmet
- Secure the site from pedestrians and vehicles, where applicable, by the use of high visibility tape, barriers, cones etc
- If you use power supply, ensure that it is secure and in a safe dry location
- Ensure there are no underground services that may be affected
- A minimum of two personnel are recommended

#### FEATURES

- To restrict the access of vehicles to controlled areas
- The Access Gate can be unlocked and opened to allow access to controlled areas or closed and locked to prevent access
- The gate has a maximum swing of 180 degrees
- Latch back posts to lock in the open position are available at extra cost

#### INSTALLATION INSTRUCTIONS

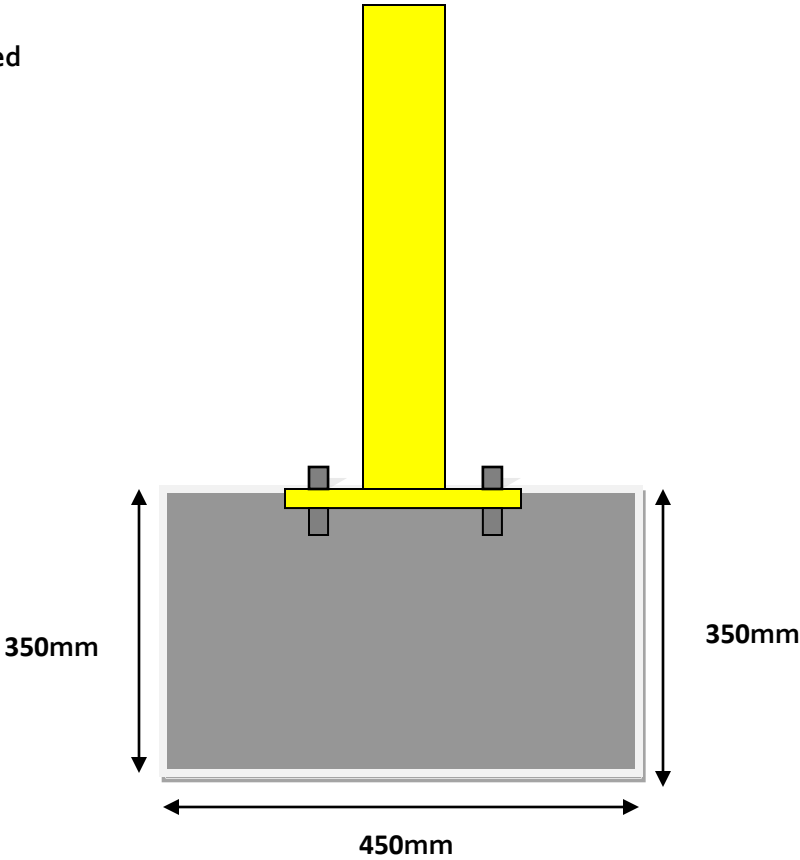
- Determine the position of the installation; consider any change of gradient across the road
- Allow for the swing/arc of the gate. Also allow for adjustment on the hinges so the gates can be adjusted after settlement
- If the gate is ragged for casting in, the recommended concrete foundations are 500mm x 500mm x 800mm deep.
- The latch post foundations should be 300 x 300 x 800mm
- If the gate is flanged for bolting down, ensure the surface is a suitable, flat, strong concrete.
- Pre-drill the four holes for the main flange bolts at 320mm centre's
- Locate the main flange holes and bolt down
- Fit the gate over the lugs
- Position the latch post accordingly, mark the bolt hole centre's, then drill in and bolt down

#### MAINTENANCE

- Occasionally clean all surfaces with soap and water
- Check that the fixing bolts and other visible fixings are suitably tight and have not worked loose
- Check foundations remain firm
- Occasionally apply light oil (WD40 or similar) to the hinge if required



Surface Mounted



Sunken Permanent

